



**ferro techniek**

Ferro Techniek BV  
Bremstraat 1  
NL-7011 AT Gaanderen  
The Netherlands

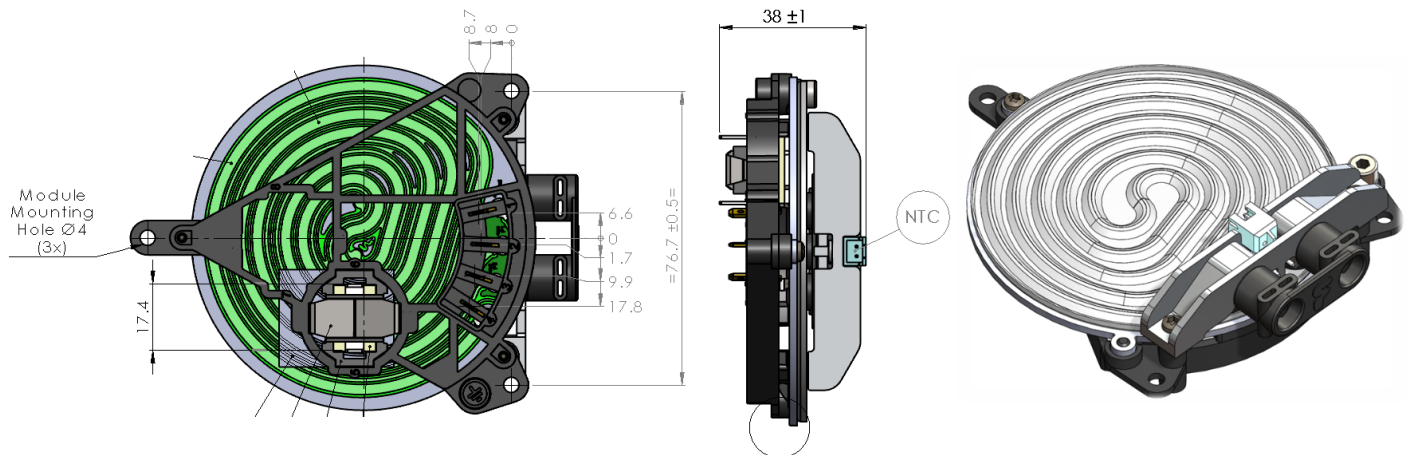
T +31 (0)315 339 811  
F +31 (0)315 339 899

I www.ferrotechnik.com  
E info@ferrotechnik.com

Rma20210315\_v5

## FTH MKII technical information and connections

Power ranges	1000W to 1800W single or dual heating sections (to customers specifications) @ 100..120Vac 50/60Hz. 1000W to 2300W single heating section @220..240vac
Dimensions	90mm x 117mm x 36mm (max, see drawing)
Operating pressure	20 bar (max)
Burst pressure	40 bar (min)
Temperature sensor	Fast response NTC, 50K @25°C, $\beta_{25/80}=3976K$
Water connections	High pressure fittings for FEP140 tube 4x2,5mm. Barbed Tube (up to 20Bar without clamping ring) fittings for silicone hoses.
Electrical connections	L, N and E-Fast: 4.8x0.8 faston quick connect terminals. Ntc 2-pole connector (jst S 2B-XH-A).
Overheat protection	E-Fast, Ntc, Thermal fuse ( <b>limited to 15Amps!</b> )
Material	AISI 444, and food approved high temperature plastics
Water volume	4ml
Weight	124 gram (element)



*FTH II HP*



*FTH II BT outwards*



*FTH II BT inwards*