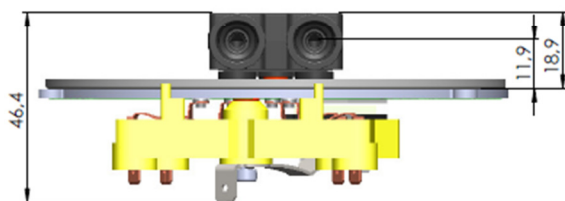
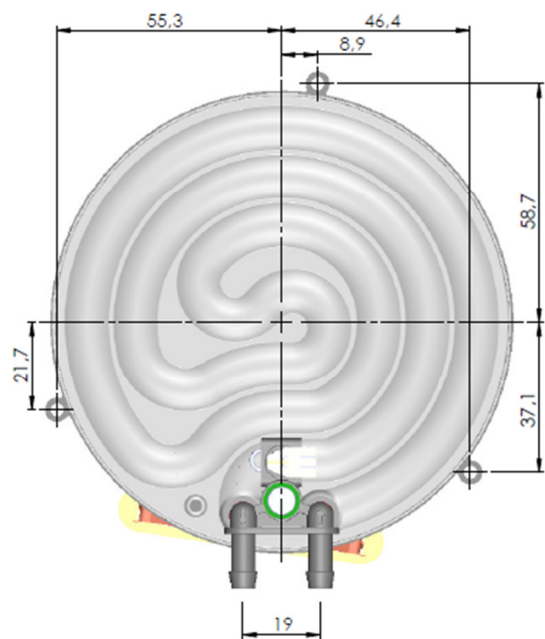
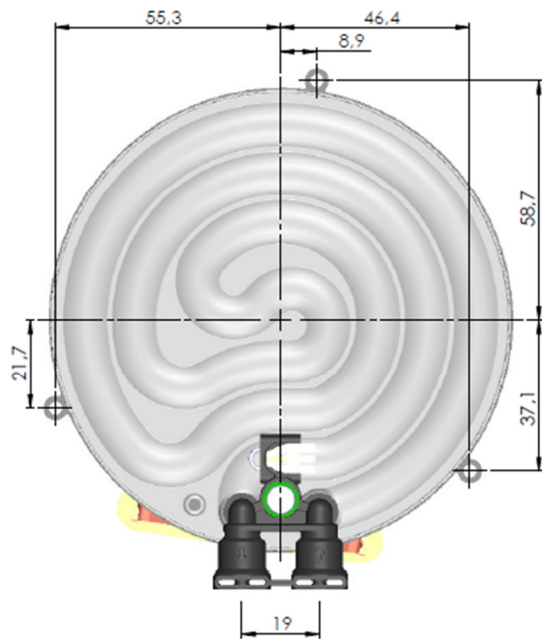


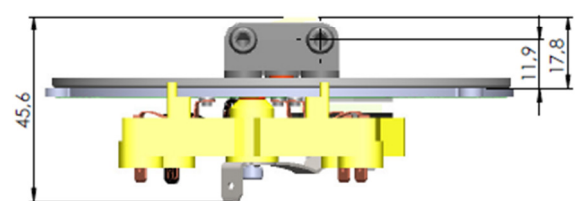


FTH XL technical information

Power ranges	Dual heating sections (to customer specifications): <ul style="list-style-type: none">• 750W to 1800W @ 100..120Vac 50/60Hz• 2200W to 3400W @ 230..240Vac 50/60Hz Maximum current: 15A
Dimensions	114mm x 127mm x 37mm (max, see drawing)
Operating pressure	20 bar (max)
Burst pressure	40 bar (min)
Temperature sensor	Fast response NTC, 50K @25°C, $\beta_{25/80}=3976K$
Water connections	<i>High pressure:</i> fittings for PTFE (Teflon) tube 4x2,5mm or 6x4mm <i>Low pressure (up to 2.5 Bar without clamping ring):</i> barbed fittings for silicone hoses I.D.6mm
Electrical connections	L, N and E-Fast: 4.8x0.8 faston quick connect terminals. NTC: 2-pole connector (jst S 2B-XH-A).
Overheat protection	E-Fast, NTC, Optional thermal fuse
Material	AISI 444, and food approved high temperature plastics
Water volume	7,9ml
Weight	± 150 gram (element)



High pressure



Low pressure